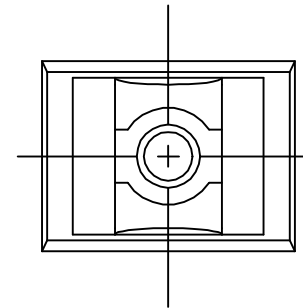
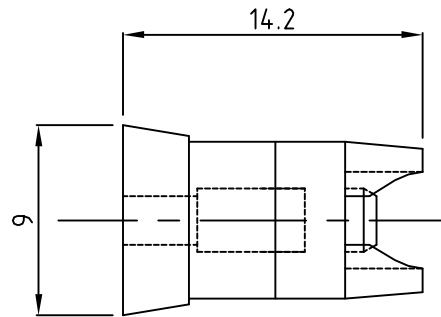
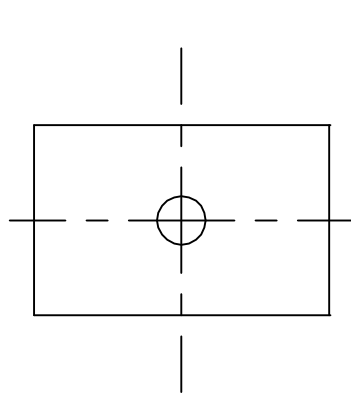
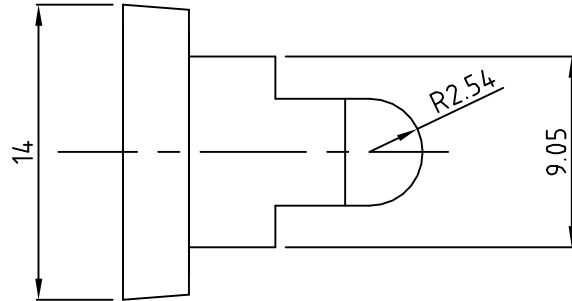


ALL DIMS IN MM UNLESS STATED

REV	DESCRIPTION	DATE	APPROVED
1	INITIAL ISSUE	020695	DJD
2	DESIGN MODS	250795	DJD
3	DIM CHANGE SEE CN No 00115	190496	DJD



NOTES:

MATERIAL SANTOPRENE TR974  
FINISH COLOUR AS REQUIRED

THIS DOCUMENT CONTAINS PROPRIETARY INFORMATION WHICH SHALL NOT BE REPRODUCED, TRANSFERRED TO OTHER DOCUMENTS, DISCLOSED TO OTHERS USED FOR MANUFACTURING OR ANY OTHER PURPOSE WITHOUT THE WRITTEN AUTHORISATION OF EUROPLUS

DRAWN CDD  
CHKD DJD

GEN TOLS  
0 = +/-0.5  
0.0 = +/-0.3  
0.00 = +/-0.1

DATE 150496  
DATE 150496

DESCRIPTION

SC ADAPTOR DUST CAP

SIZE  
FILE NAME

0214001

EUROPLUS FIBRE OPTICS

Unit 2, Deben Way, Melton, Woodbridge, Suffolk IP12 1RB  
Tel: (01394) 386811 Fax: (01394) 380572

DWG. No

EFA02 14 001

REV.

3