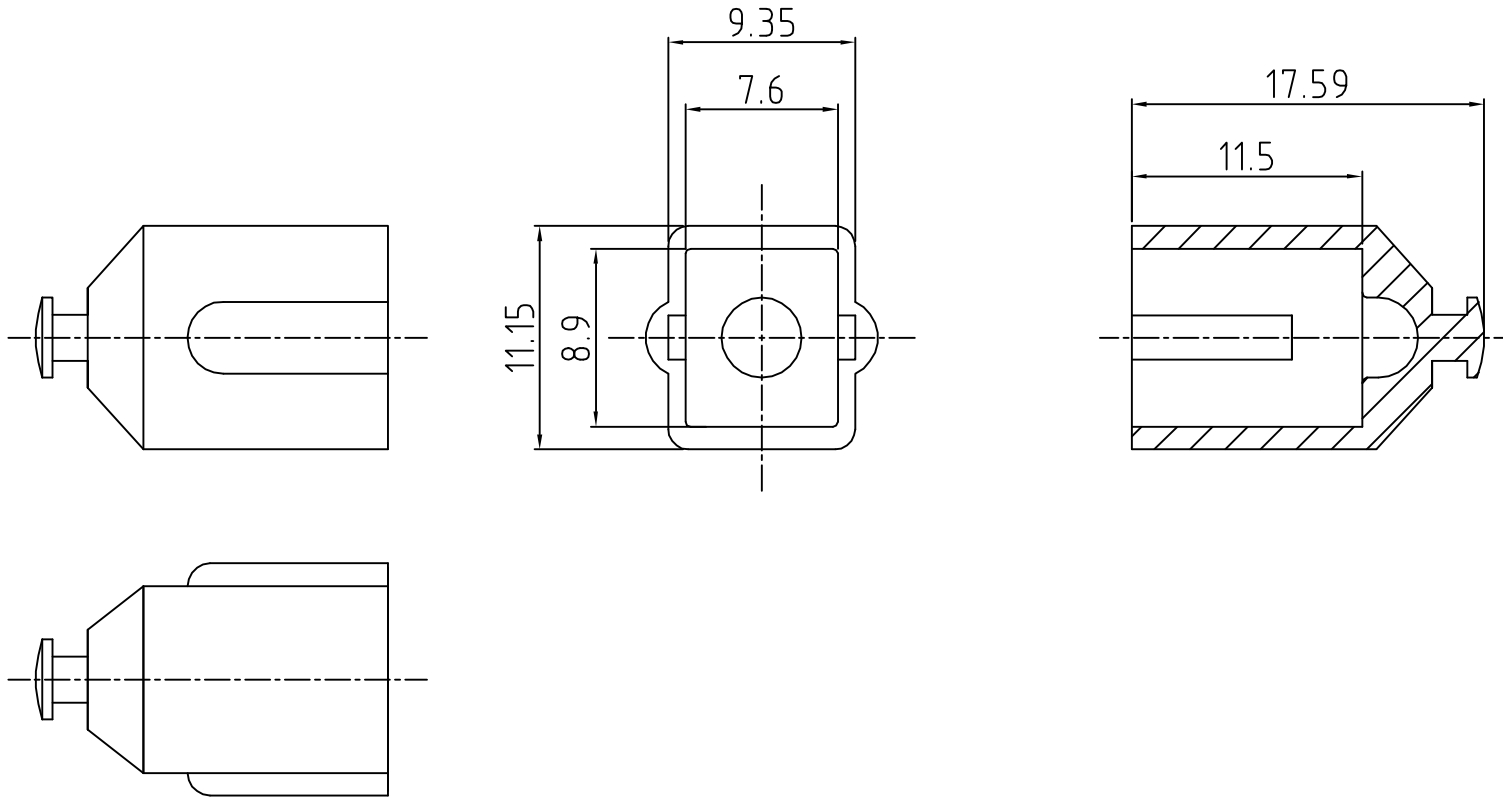


3rd ANG PROJECTION

| REV | DESCRIPTION | DATE | APPROVED |
|-----|----------------------------------|----------|----------|
| 1 | INITIAL ISSUE | 010695 | DJD |
| 2 | R2 ADDED TO STRENGTHEN MUSHRM | 170895 | DJD |
| 3 | DIMS CHGND TO MATCH PRTS FROM TO | 01060995 | JWH |
| 4 | MATERIAL SPEC ADDED | | CN00173 |



EFA02 15 001 BLACK
 EFA02 15 002 BLUE
 NOTES: EFA02 15 003 GREEN

| | |
|--------|-----------------|
| SERIAL | PVC C21-25 |
| SH | COLOUR TO ORDER |

THIS DOCUMENT CONTAINS PROPRIETARY INFORMATION WHICH SHALL NOT BE REPRODUCED, TRANSFERRED TO OTHER DOCUMENTS, DISCLOSED TO OTHERS USED FOR MANUFACTURING OR ANY OTHER PURPOSE

| | |
|-------------|----------------------|
| DESCRIPTION | SC CONNECTOR DUSTCAP |
|-------------|----------------------|

| | | | | | | |
|-----------|-----|-------------|------|-----------|--------------|------|
| DRAWN CDD | | DATE 070696 | SIZE | FILE NAME | DWG. No | REV. |
| CHKD | DJD | DATE 070696 | | 0215XXX | EFA02 15 XXX | 4 |

GEN TOLS
 0 = +/-0.5
 0.0 = +/-0.3
 0.00 = +/-0.1

ALL DIMS IN MM UNLESS STATED

EUROPLUS FIBRE OPTICS
 Unit 2, Deben Way, Melton, Woodbridge, Suffolk IP12 1RB
 Tel: (01394) 386811 Fax: (01394) 380572