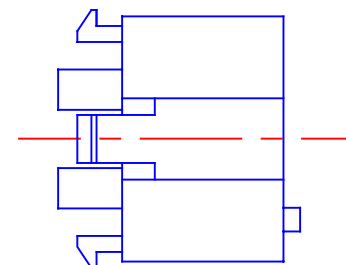
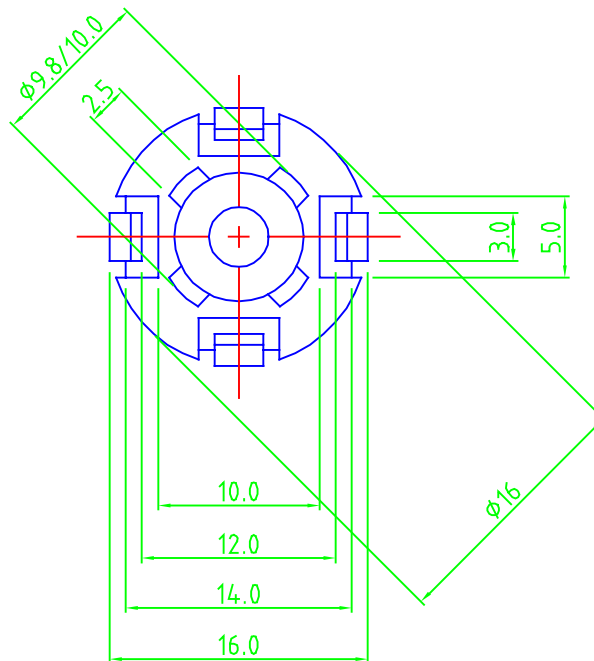
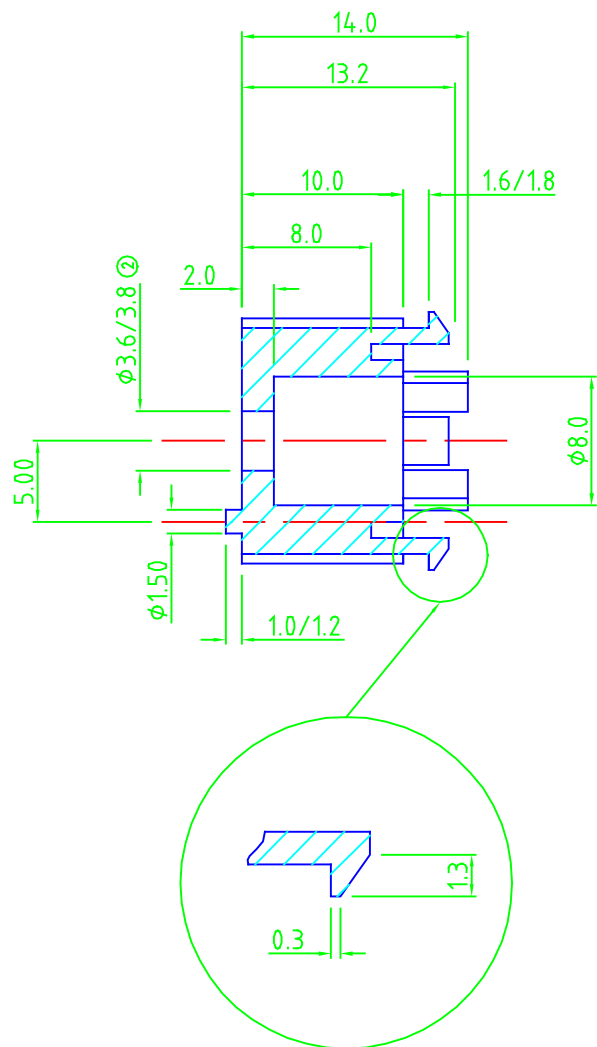


3rd ANG PROJECTION

REV	DESCRIPTION	DATE	APPROVED
1	INITIAL ISSUE	130999	
2	Ø2.1 hole now Ø3.6 to allow for rivet	190600	CN00220



NOTES:

MATERIAL Sniamid C 50 H2
 FINISH Flash Free
 ICE No:

THIS DOCUMENT CONTAINS PROPRIETARY INFORMATION WHICH SHALL NOT BE REPRODUCED, TRANSFERRED TO OTHER DOCUMENTS, DISCLOSED TO OTHERS USED FOR MANUFACTURING OR ANY OTHER PURPOSE WITHOUT THE WRITTEN AUTHORISATION OF EUROPLUS FIBRE OPTICS LTD.

DESCRIPTION
 Reel mounts

ALL DIMS IN MM UNLESS STATED				GEN TOLS 0 = +/-0.5 0.0 = +/-0.3 0.00 = +/-0.1		EUROPLUS FIBRE OPTICS Europlus House, Thompson Drive, Anglia International Airpark, Rendlesham, Suffolk, IP12 2RQ. Tel: (01394) 445100 Fax: (01394) 445109	
DRAWN CDD	DATE 130999	SIZE	FILE NAME	DWG. No	REV.		
CHKD CDD	DATE 130999	SCALE	0427001	EFA04 27 001	2		
DO NOT SCALE DRAWING			SCALE 3:1	SHEET 1 of 1			