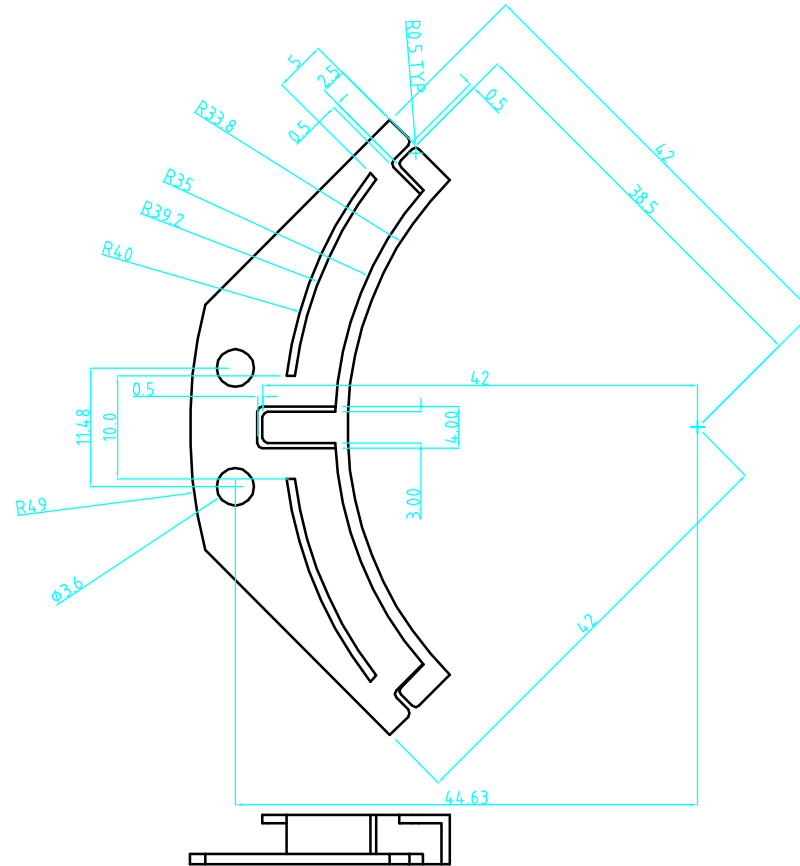
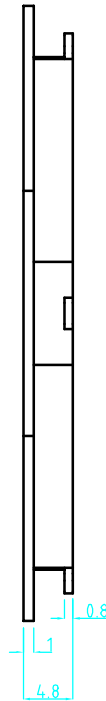
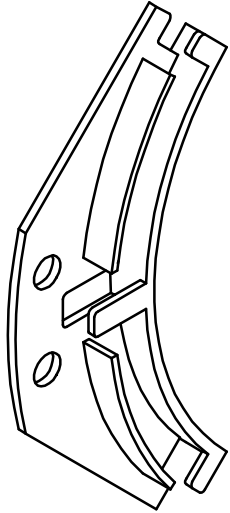


3rd ANG PROJECTION

REV	DESCRIPTION	DATE	APPROVED
1	INITIAL ISSUE	280900	CDD



NOTES:

MATERIAL	Sniamid	THIS DOCUMENT CONTAINS PROPRIETARY INFORMATION WHICH SHALL NOT BE REPRODUCED, TRANSFERRED TO OTHER DOCUMENTS, DISCLOSED TO OTHERS USED FOR MANUFACTURING OR ANY OTHER PURPOSE WITHOUT THE WRITTEN AUTHORIZATION OF EUROPLUS FIBRE OPTICS Ltd
FINISH	Flash Free	
ICE No:		

DESCRIPTION	35mm radius corner guide
-------------	--------------------------

ALL DIMS IN MM UNLESS STATED		GEN TOLS 0 = +/-0.5 0.0 = +/-0.3 0.00 = +/-0.1		EUROPLUS FIBRE OPTICS Europlus House, Thompson Drive, Anglia International Airpark, Rendlesham, Suffolk, IP12 2RQ. Tel: (01394) 445100 Fax: (01394) 445109	
DRAWN	CDD	DATE	280900	SIZE	FILE NAME
CHKD	CDD	DATE	280900		0434002
DO NOT SCALE DRAWING			SCALE	2:1	
				DWG. No	EFA04 34 002
				REV.	1
				SHEET	1 of 1