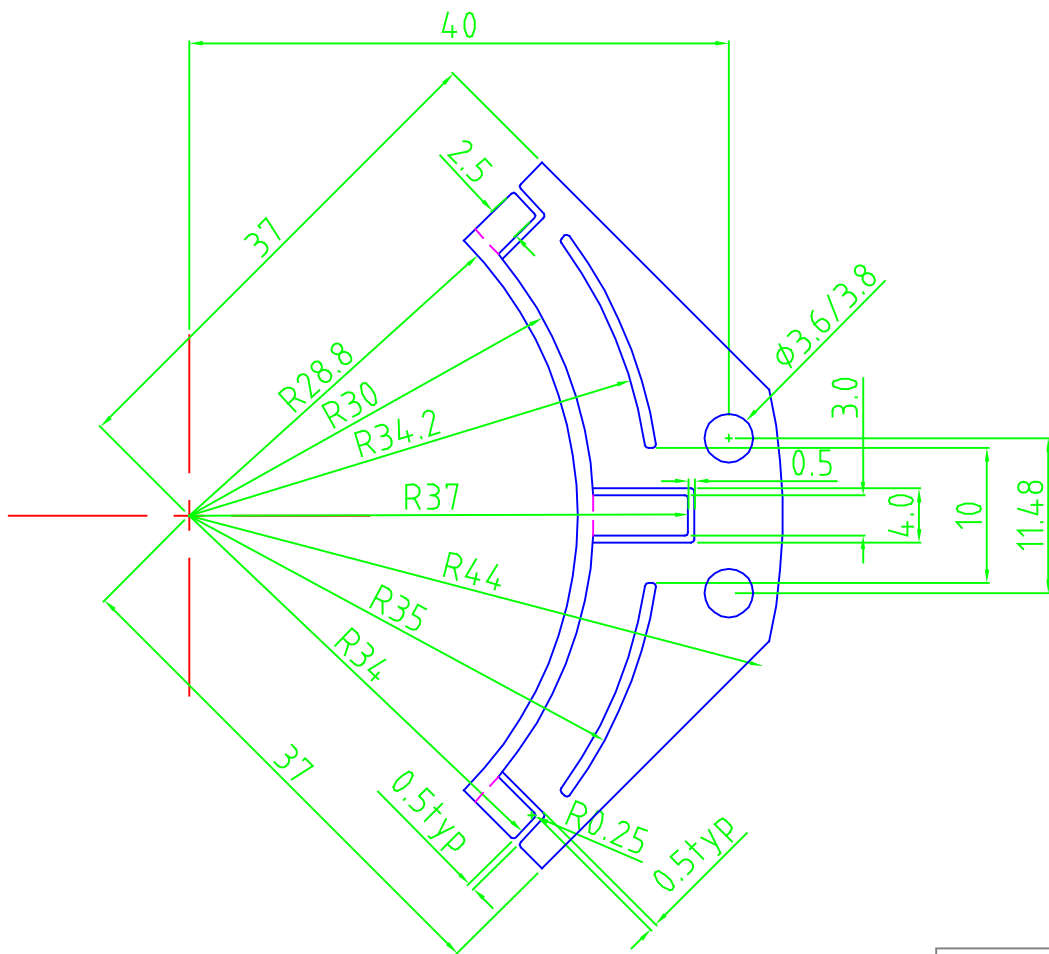
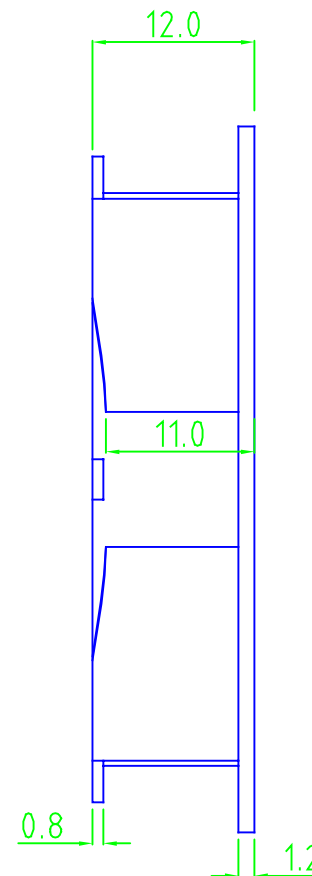




3rd ANG PROJECTION



REV	DESCRIPTION	DATE	APPROVED
1	INITIAL ISSUE	090200	



NOTES:

MATERIAL	Sniamid C 50 H2	<small>THIS DOCUMENT CONTAINS PROPRIETARY INFORMATION WHICH SHALL NOT BE REPRODUCED, TRANSFERRED TO OTHER DOCUMENTS, DISCLOSED TO OTHERS USED FOR MANUFACTURING OR ANY OTHER PURPOSE WITHOUT THE WRITTEN AUTHORIZATION OF EUROPLUS FIBRE OPTICS LTD.</small>
FINISH	Flash Free	
ICE No:		

DESCRIPTION	Corner guide 12mm
-------------	-------------------

ALL DIMS IN MM UNLESS STATED		GEN TOLS 0 = +/- 0.5 0.0 = +/- 0.3 0.00 = +/- 0.1		EUROPLUS FIBRE OPTICS <small>Europlus House, Thompson Drive, Anglia International Airpark, Rendlesham, Suffolk, IP12 2RQ. Tel: (01394) 445100 Fax: (01394) 445109</small>	
DRAWN	CDD	DATE	090200	SIZE	FILE NAME
CHKD	CDD	DATE	090200		0434004
DO NOT SCALE DRAWING				SCALE	3:1
				DWG.No	EFA04 34 004
				REV.	1
				SHEET	1 of 1