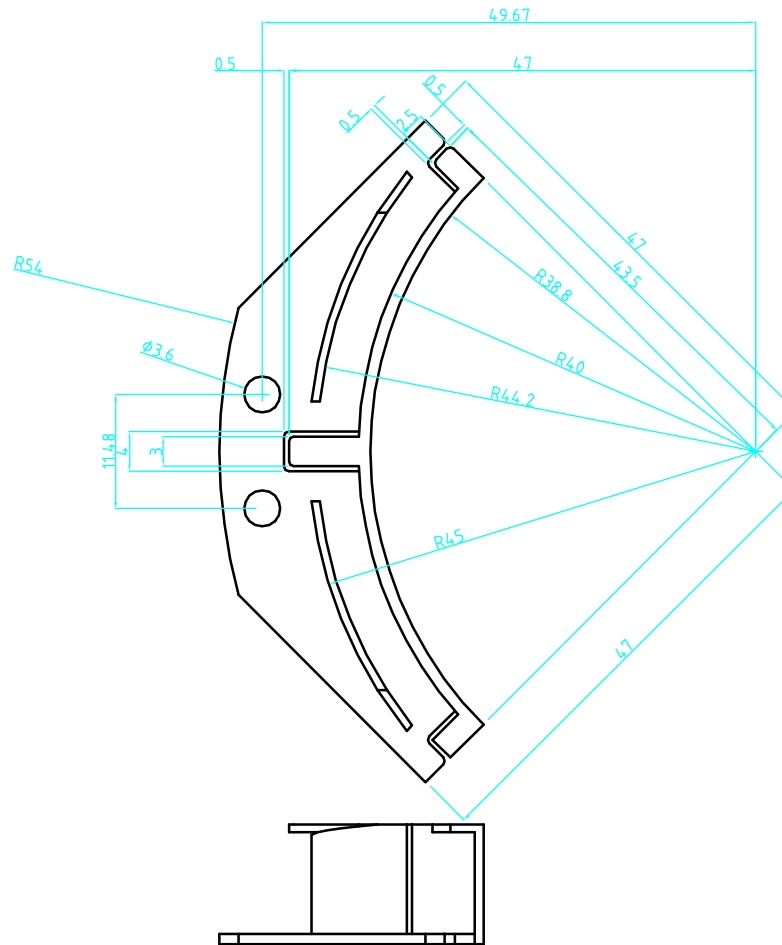
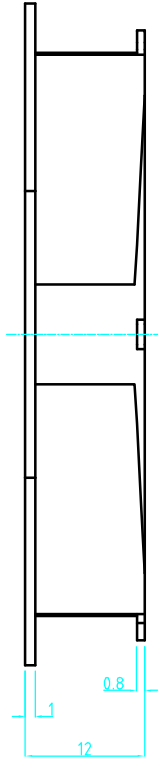
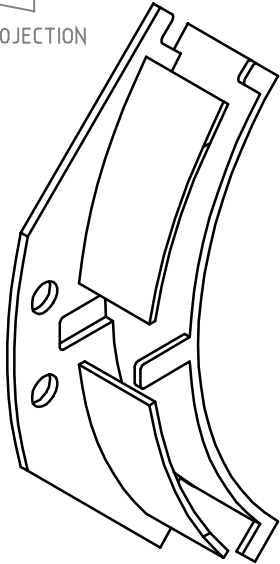


3rd ANG PROJECTION



REV	DESCRIPTION	DATE	APPROVED
1	INITIAL ISSUE	061100	CDD

NOTES:

MATERIAL	Sniamid	THIS DOCUMENT CONTAINS PROPRIETARY INFORMATION WHICH SHALL NOT BE REPRODUCED, TRANSFERRED TO OTHER DOCUMENTS, DISCLOSED TO OTHERS USED FOR MANUFACTURING OR ANY OTHER PURPOSE WITHOUT THE WRITTEN AUTHORIZATION OF EUROPLUS FIBRE OPTICS LTD.
FINISH	Flash Free	
ICE No:		

DESCRIPTION	40mm rad corner guide 12mm high
-------------	---------------------------------

ALL DIMS IN MM UNLESS STATED		GEN TOLS 0 = +/-0.5 0.0 = +/-0.3 0.00 = +/-0.1		EUROPLUS FIBRE OPTICS Europlus House, Thompson Drive, Anglia International Airpark, Rendlesham, Suffolk, IP12 2RQ. Tel: (01394) 445100 Fax: (01394) 445109	
DRAWN	CDD	DATE	061100	SIZE	FILE NAME
CHKD	CDD	DATE	061100		0434006_3d
DO NOT SCALE DRAWING		SCALE	2:1	DWG No	EFA04 34 006
				REV	1
				SHEET	1 of 1