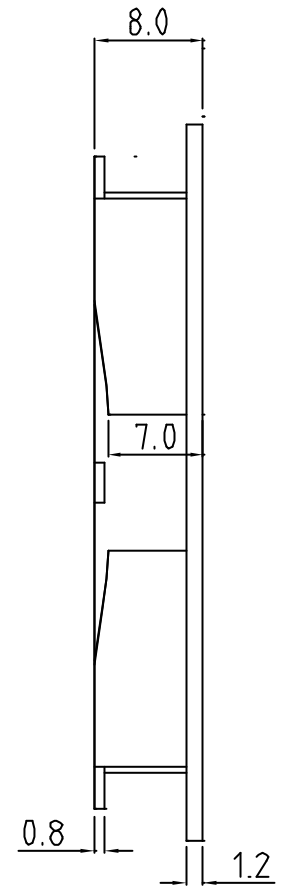
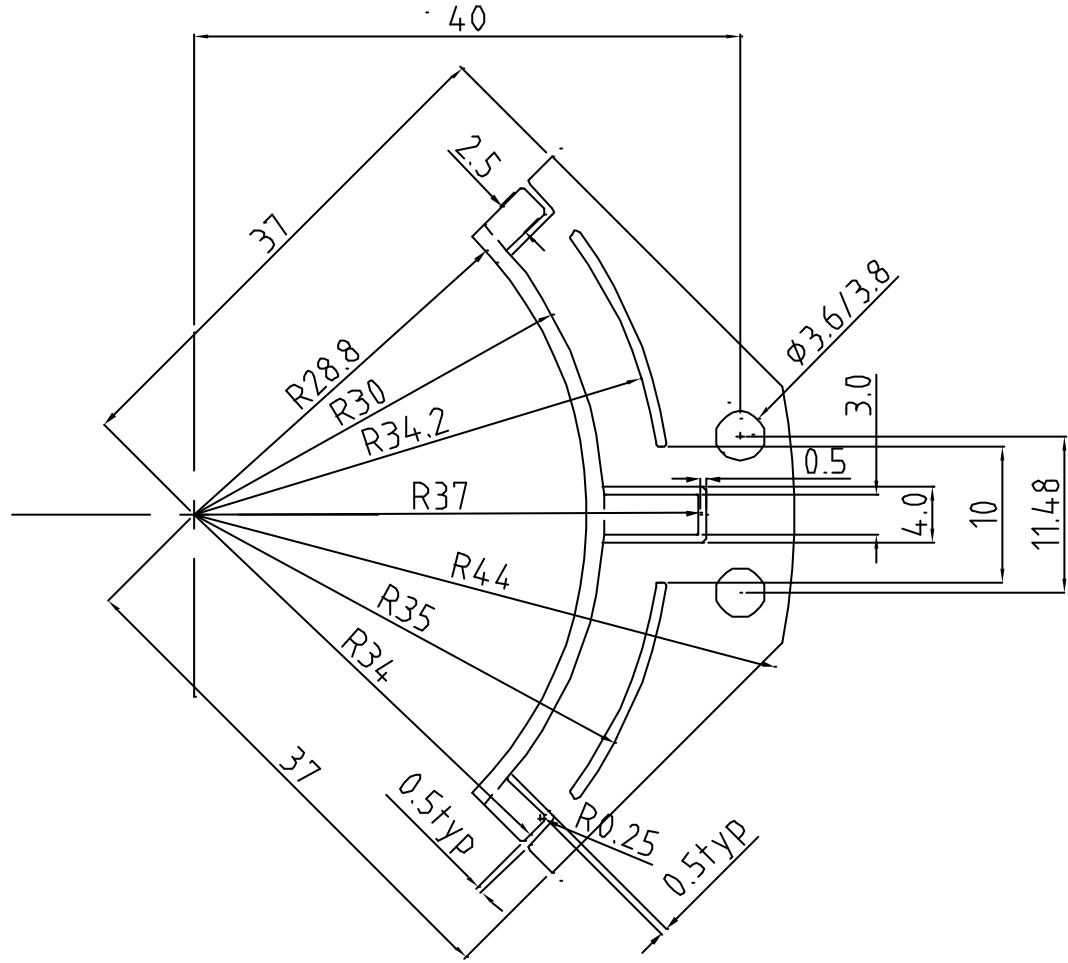




REV	DESCRIPTION	DATE	APPROVED
1	INITIAL ISSUE	29 05 01	EDD
2	MATERIAL CHANGE	10 10 02	DD067



NOTES: F.R. NYLON 6 RADIFLAM SAE100 OR EQUIVALENT

MATERIAL	SEE NOTE
FINISH	FLASHFREE
KE No:	

DESCRIPTION	CORNER GUIDE 8mm x 30mm RADIUS
-------------	--------------------------------

EUROPLUS AND EUROPLUS TECHNOLOGIES ARE TRADEMARKS OF EGIDE UK LIMITED.		REF TOLS 8 = +/- 0.5 6.8 = +/- 0.3 6.0 = +/- 0.1		EGIDE UK LTD Egide House, Thompson Drive, Buntingford, Cambridgeshire, Suffolk, IP12 2TV. Tel: 01228 445181 Fax: 01228 445192
DRAWN EDD FILE NAME EFA04 34 D10	DATE 29 05 01	DID NOT SCALE DRAWING	DWG No EFA04 34 D10	REV. 2
ALL DIMS IN MM UNLESS STATED		SCALE 1:1	SHEET 1 of 1	