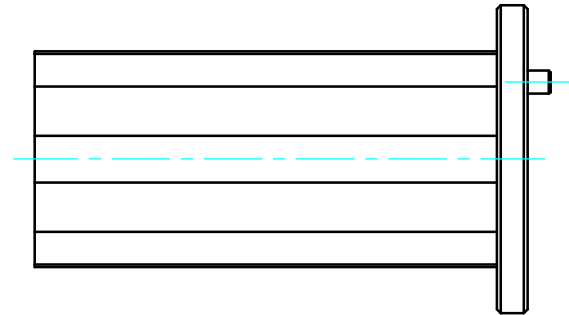
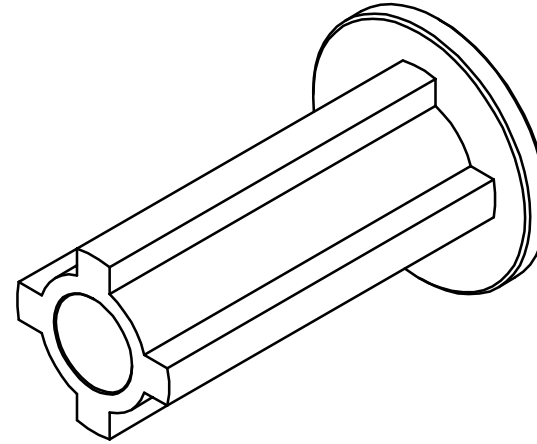
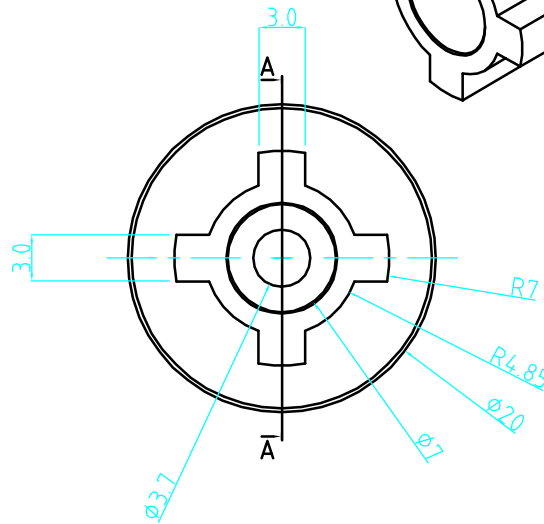
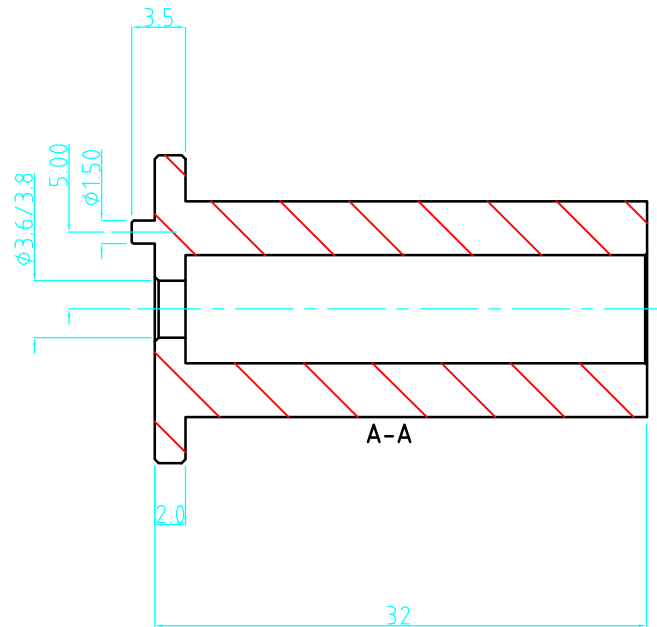




| REV | DESCRIPTION | DATE | APPROVED |
|-----|---------------|--------|----------|
| 1 | INITIAL ISSUE | 300600 | CDD |
| | | | |
| | | | |
| | | | |



NOTES:

| | | |
|----------|---------|---|
| MATERIAL | SNIAMID | THIS DOCUMENT CONTAINS PROPRIETARY INFORMATION WHICH SHALL NOT BE REPRODUCED, TRANSFERRED TO OTHER DOCUMENTS, DISCLOSED TO OTHERS USED FOR MANUFACTURING OR ANY OTHER PURPOSE WITHOUT THE WRITTEN AUTHORISATION OF EUROPLUS FIBRE OPTICS LTD. |
| FINISH | CBGF | |
| ICE No: | | |

| | |
|-------------|----------------------------|
| DESCRIPTION | Fibre reel mounting pillar |
|-------------|----------------------------|

| | | | | | | | |
|------------------------------|-----|---|--|-------|-----------|--------------|------|
| ALL DIMS IN MM UNLESS STATED | | GEN TOLS 0 = +/-0.5 0.0 = +/-0.3 0.00 = +/-0.1 | EUROPLUS FIBRE OPTICS Europlus House, Thompson Drive, Anglia International Airpark, Rendlesham, Suffolk, IP12 2RQ. Tel: (01394) 445100 Fax: (01394) 445109 | | | | |
| DRAWN | CDD | DATE | 300600 | SIZE | FILE NAME | DWG No | REV. |
| CHKD | CDD | DATE | 300600 | SCALE | 0453001 | EFA04 53 001 | 1 |
| DO NOT SCALE DRAWING | | SCALE | 2:1 | SHEET | | 1 | of 1 |