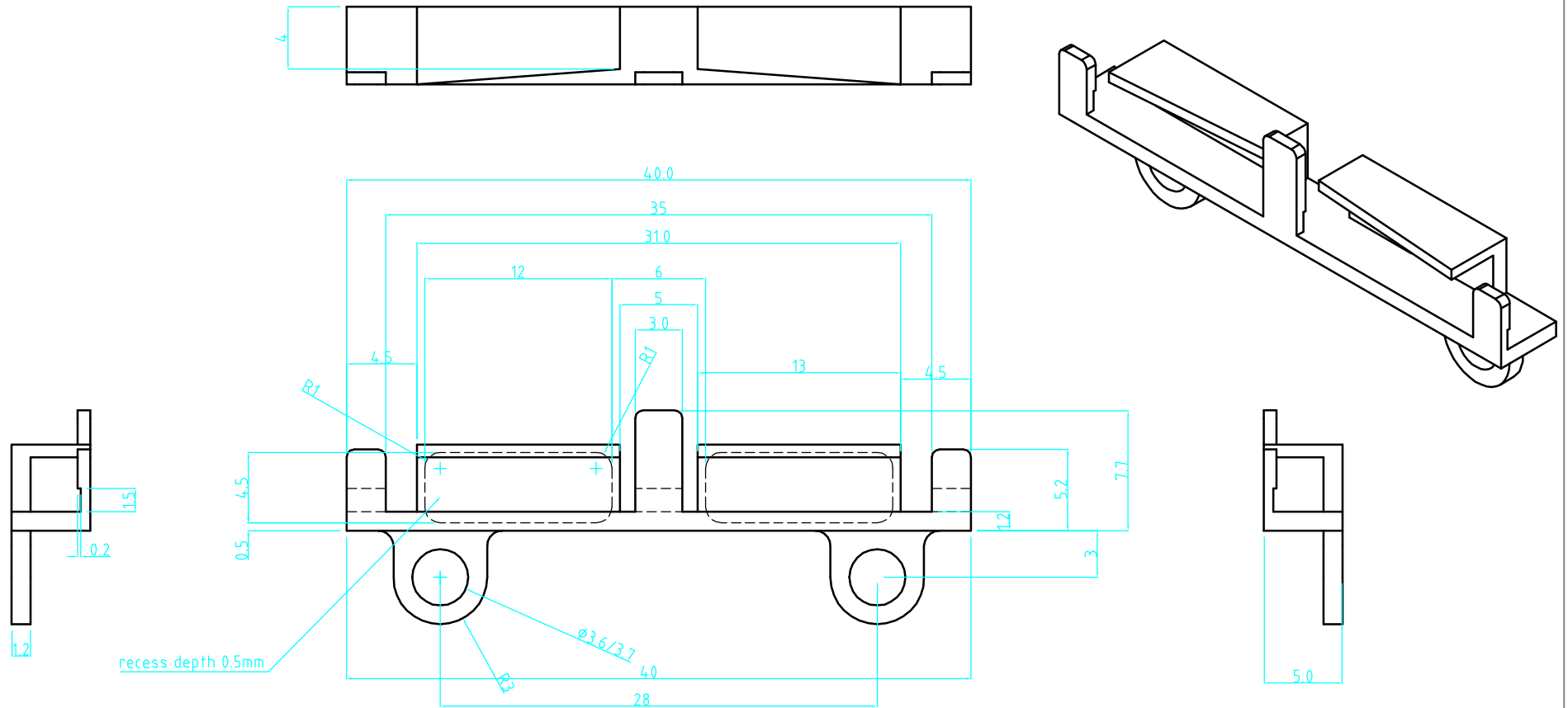


3rd ANG PROJECTION

REV	DESCRIPTION	DATE	APPROVED
1	INITIAL ISSUE	170800	CDD
2	Drawing brought into line with sample	291100	CN00243



NOTES:

MATERIAL	Sniamid	THIS DOCUMENT CONTAINS PROPRIETARY INFORMATION WHICH SHALL NOT BE REPRODUCED, TRANSFERRED TO OTHER DOCUMENTS, DISCLOSED TO OTHERS USED FOR MANUFACTURING OR ANY OTHER PURPOSE WITHOUT THE WRITTEN AUTHORISATION OF EUROPLUS FIBRE OPTICS LTD.
FINISH	flash free	
ICE No:		

DESCRIPTION	Fibre Guide (straight)
-------------	------------------------

ALL DIMS IN MM UNLESS STATED		GEN TOLS 0 = +/-0.5 0.0 = +/-0.3 0.00 = +/-0.1		EUROPLUS FIBRE OPTICS Europlus House, Thompson Drive, Anglia International Airpark, Rendlesham, Suffolk, IP12 2RQ. Tel: (01394) 445100 Fax: (01394) 445109	
DRAWN	CDD	DATE	170800	SIZE	FILE NAME
CHKD	CDD	DATE	170800	SCALE	2:1
DO NOT SCALE DRAWING		DWG. No		EFA04 60 001	
		REV.		2	
		SHEET		1 of 1	