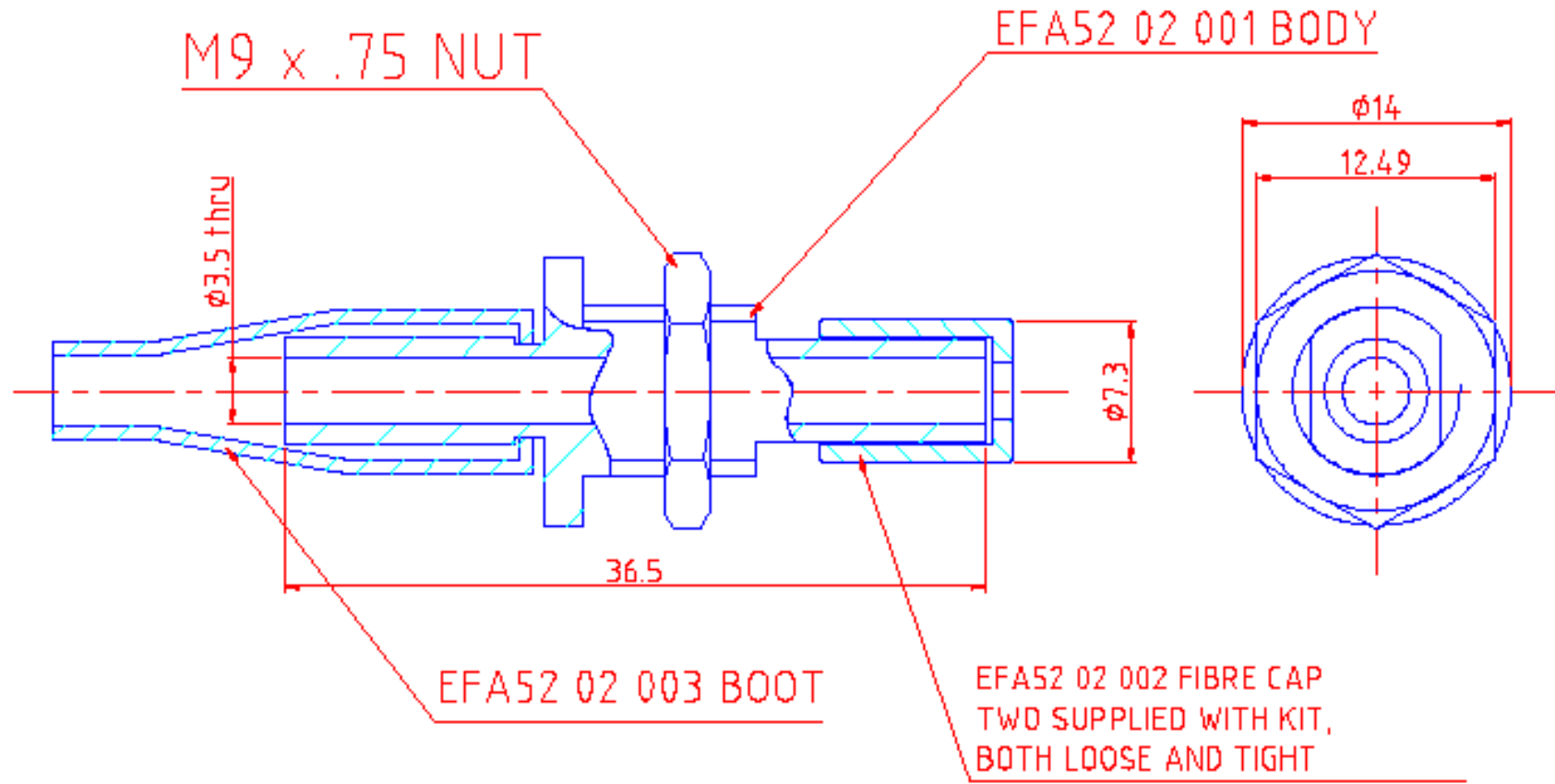




ALL DIMS IN MM UNLESS STATED

REV	DESCRIPTION	DATE	APPROVED
1	INITIAL ISSUE	060896	DJD



NOTES:

EUROPLUS FIBRE OPTICS
Unit 2, Daban Way, Maltby, Woodbridge, Suffolk IP12 1RB
Tel: (01394) 386811 Fax: (01394) 386572

GEN TOLS 0 = +/-0.5 0.0 = +/-0.3 0.00 = +/-0.1	DESCRIPTION QUICK PANEL MOUNT (PLASTIC) STRAIN RELIEF GLAND
DRAWN CDD CHKD DJD DATE 060896 DATE 060896	SIZE FILE NAME 5202ASS
DO NOT SCALE DRAWING	DWG. No. REV. EFA52 02 ASSY 1
	SCALE 3:1 SHEET 1 of 1

MATERIAL NYLON 6	THIS DOCUMENT CONTAINS PROPRIETARY INFORMATION WHICH SHALL NOT BE REPRODUCED, TRANSFERRED TO OTHER DOCUMENTS, OR LOANED TO OTHERS USED FOR MANUFACTURING OR ANY OTHER PURPOSE WITHOUT THE WRITTEN AUTHORIZATION OF EUROPLUS FIBRE OPTICS LTD.
FINISH BLACK	
ICE No:	