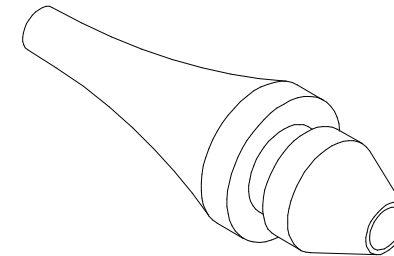
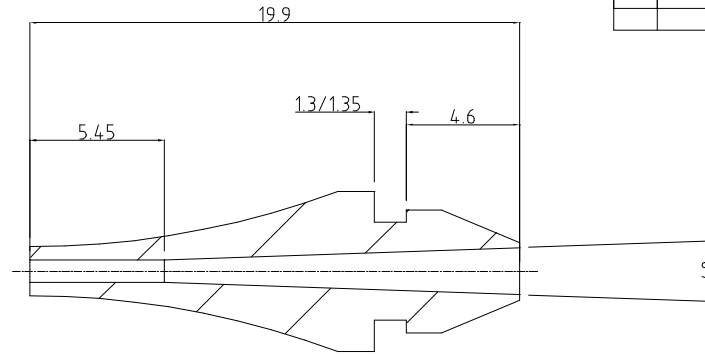
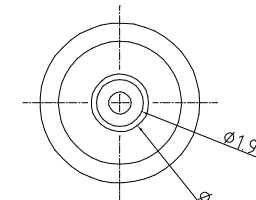
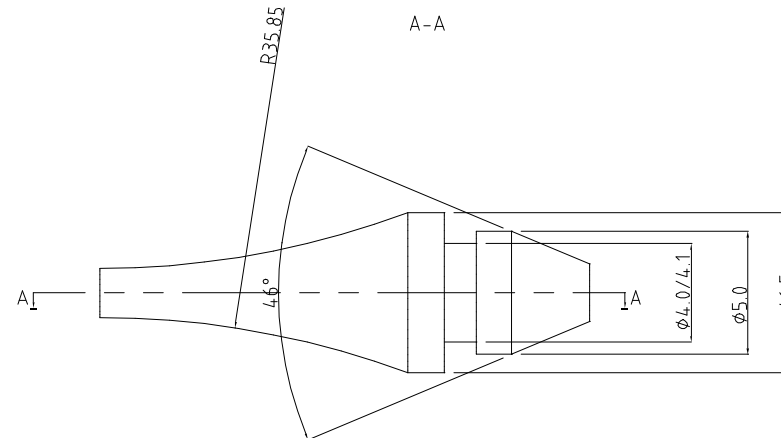
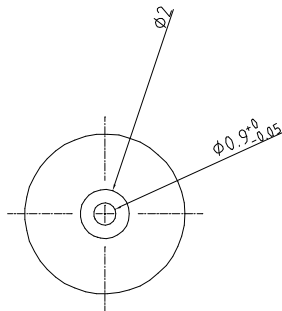


REV	DESCRIPTION	DATE	APPROVED
1	INITIAL ISSUE	250400	CDD



A-A



NOTES:

MATERIAL	Evoprene TR974 (Black)
FINISH	Flash Free
ICE No:	4012

THIS DOCUMENT CONTAINS PROPRIETARY INFORMATION WHICH SHALL NOT BE REPRODUCED, TRANSFERRED TO OTHER DOCUMENTS, DISCLOSED TO OTHERS USED FOR MANUFACTURING OR ANY OTHER PURPOSE WITHOUT THE WRITTEN AUTHORISATION OF EUROPLUS FIBRE OPTICS LTD.

DESCRIPTION
Strain Relief Boot

ALL DIMS IN MM UNLESS STATED				GEN TOLS 0 = +/-0.5 0.0 = +/-0.3 0.00 = +/-0.1	EUROPLUS FIBRE OPTICS Europlus House, Thompson Drive, Anglia International Airport, Rendlesham, Suffolk, IP12 2RQ. Tel: (01394) 445100 Fax: (01394) 445109		
DRAWN	CDD	DATE	250400	SIZE	FILE NAME	DWG No	REV.
CHKD	CDD	DATE	250400		7007001	EFA70 07 001	1
DO NOT SCALE DRAWING				SCALE	4:1	SHEET 1 of 1	