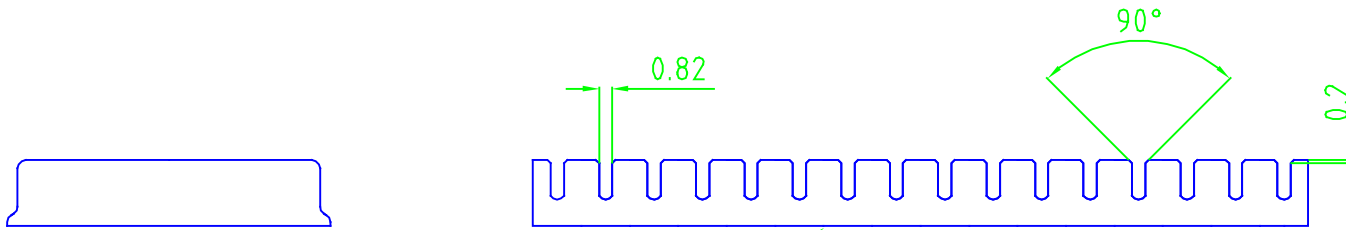
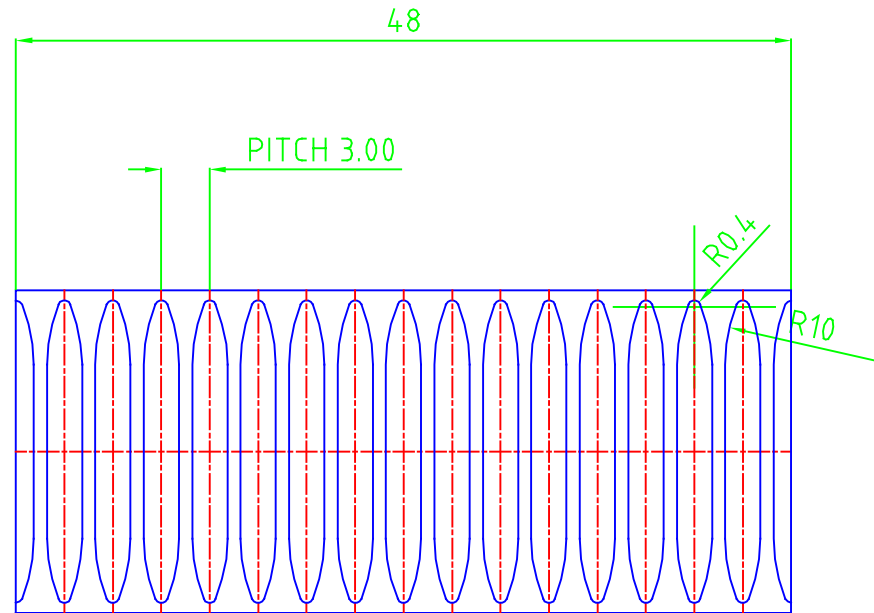
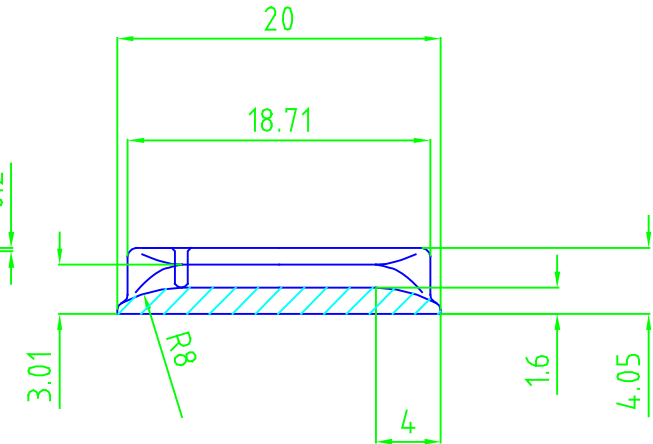


3rd ANG PROJECTION

REV	DESCRIPTION	DATE	APPROVED
1	INITIAL ISSUE	26 09 98	DJD
2	SLOT WIDTH REDUCED, ANG. CHANGED	12/11/98	



SELF ADHEASIVE COATING ON THIS FACE



NOTES: Matl: Red Polypropylene APPRYL Grade 3400MA5

MATERIAL	AS ABOVE
FINISH	RED
ICE No:	03035

THIS DOCUMENT CONTAINS PROPRIETARY INFORMATION WHICH SHALL NOT BE REPRODUCED, TRANSFERRED TO OTHER DOCUMENTS, DISCLOSED TO OTHERS USED FOR MANUFACTURING OR ANY OTHER PURPOSE WITHOUT THE WRITTEN AUTHORISATION OF EUROPLUS FIBRE OPTICS LTD.

DESCRIPTION
900 MICRON BUFFERED 16 WAY FIBRE CLIP

ALL DIMS IN MM UNLESS STATED		GEN TOLS 0 = +/-0.5 0.0 = +/-0.3 0.00 = +/-0.1		EUROPLUS FIBRE OPTICS Unit 2, Deben Way, Melton, Woodbridge, Suffolk IP12 1RB Tel: (01394) 386811 Fax: (01394) 380572	
DRAWN	DJD	DATE	26 09 98	SIZE	FILE NAME
CHKD	26 09 98	DATED	DJD		0412001
DO NOT SCALE DRAWING			SCALE	3-1	
			DWG. No	EFA04 12 001	REV. 2
			SHEET	2	of 3