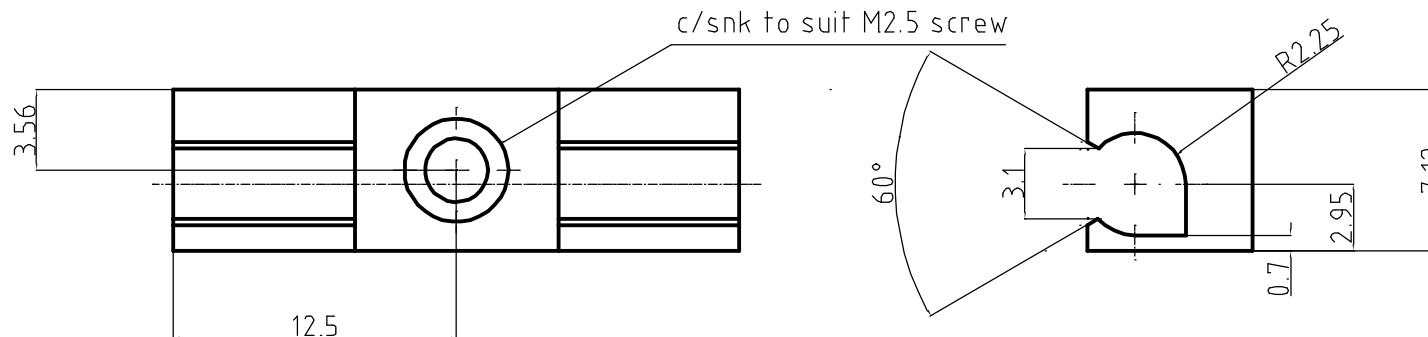
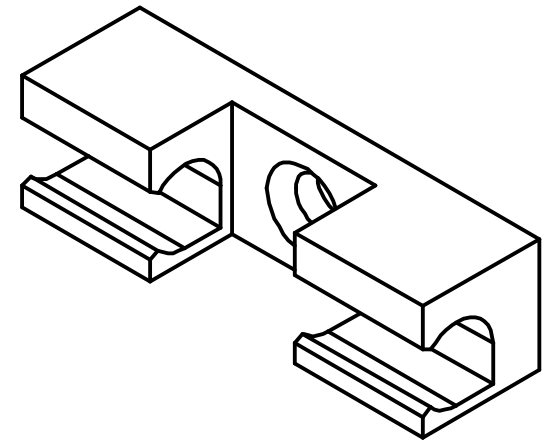
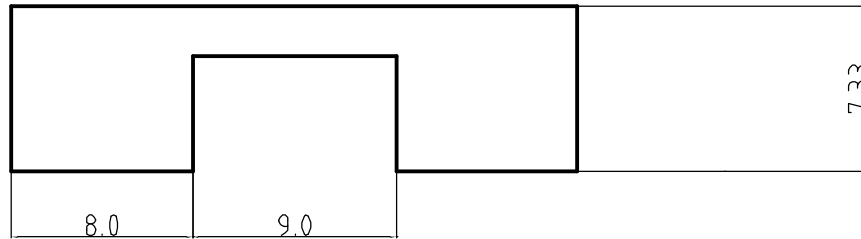
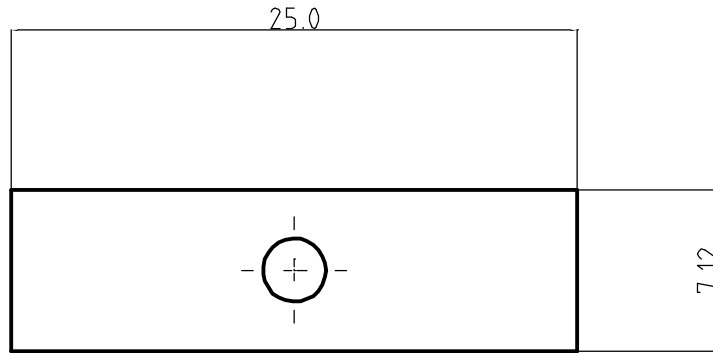


3rd ANG PROJECTION

REV	DESCRIPTION	DATE	APPROVED
1	INITIAL ISSUE	110402	



NOTES:

MATERIAL	Technyl	THIS DOCUMENT CONTAINS PROPRIETARY INFORMATION WHICH SHALL NOT BE REPRODUCED, TRANSFERRED TO OTHER DOCUMENTS, DISCLOSED TO OTHERS USED FOR MANUFACTURING OR ANY OTHER PURPOSE WITHOUT THE WRITTEN AUTHORIZATION OF EUROPLUS FIBRE OPTICS LTD
FINISH	Flash Free	
ICE No:		

DESCRIPTION	φ4.7mm Isolater clip
-------------	----------------------

ALL DIMS IN MM UNLESS STATED		GEN TOLS 0 = +/-0.5 0.0 = +/-0.3 0.00 = +/-0.1		EUROPLUS FIBRE OPTICS Europlus House, Thompson Drive, Anglia International Airpark, Rendlesham, Suffolk, IP12 2RQ. Tel: (01394) 445100 Fax: (01394) 445109	
DRAWN	CDD	DATE	110402	SIZE	FILE NAME
CHKD	CDD	DATE	110402		0439003
DO NOT SCALE DRAWING			SCALE	3:1	
				DWG. No	EFA04 39 003
				REV.	1
				SHEET	1 of 1