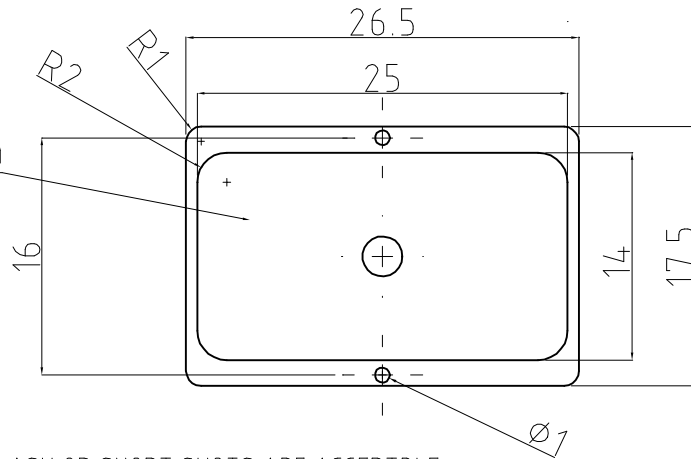
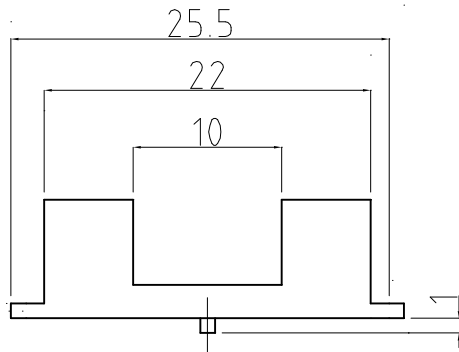
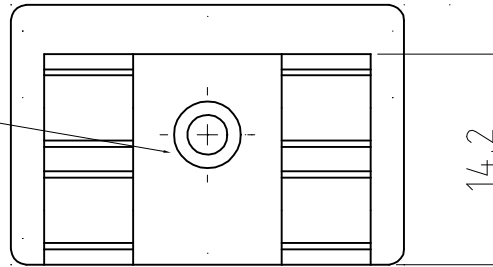
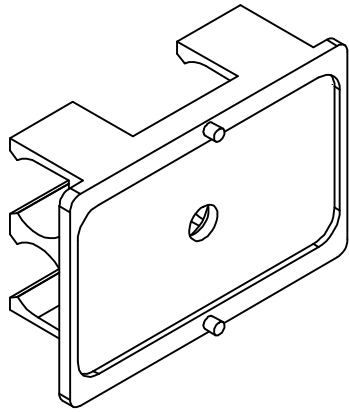
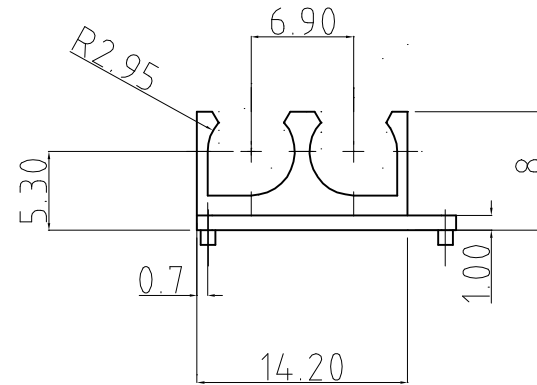
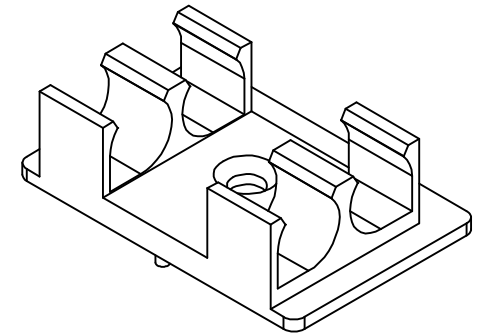


3rd ANG PROJECTION

drill through $\phi 2.7$
c/snk $\phi 4.5 \times 90^\circ$



recess depth 0.5mm



REV	DESCRIPTION	DATE	APPROVED
1	INITIAL ISSUE	270601	

NOTES: MOULD IN RED, NO FLASH OR SHORT SHOTS ARE ACCEPTABLE

MATERIAL Sniamid C50 H2	THIS DOCUMENT CONTAINS PROPRIETARY INFORMATION WHICH SHALL NOT BE REPRODUCED, TRANSFERRED TO OTHER DOCUMENTS, DISCLOSED TO OTHERS USED FOR MANUFACTURING OR ANY OTHER PURPOSE WITHOUT THE WRITTEN AUTHORISATION OF EUROPLUS FIBRE OPTICS LTD.	DESCRIPTION Isolator clip $\phi 6.0$ mm	GEN TOLS	EUROPLUS FIBRE OPTICS				
			0 = +/-0.5	Europlus House, Thompson Drive, Anglia International Airpark, Rendlesham, Suffolk, IP12 2RQ. Tel: (01394) 445100 Fax: (01394) 445109				
FINISH flash free			0.0 = +/-0.3	DRAWN CDD	DATE 270601	SIZE FILE NAME	DWG. No	REV.
ICE No:			0.00 = +/-0.1	CHKD CDD	DATE 270601	0461001	EFA04 61 001	1
				DO NOT SCALE DRAWING			SCALE 2:1	SHEET of