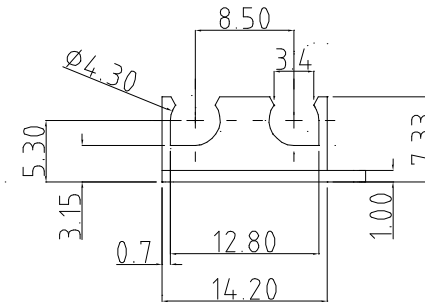
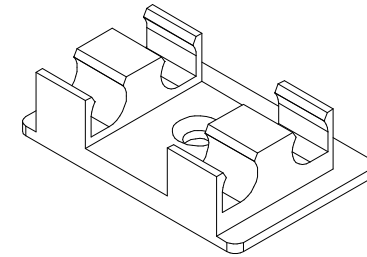
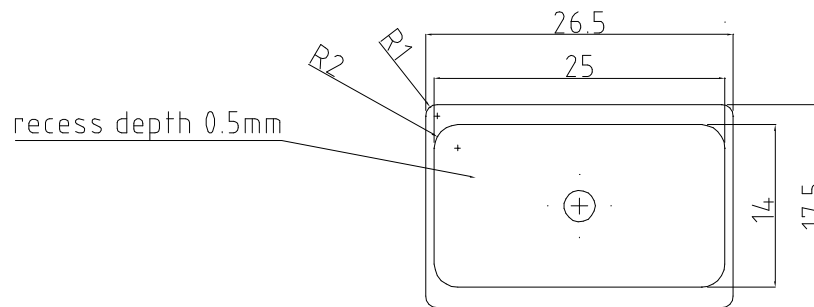
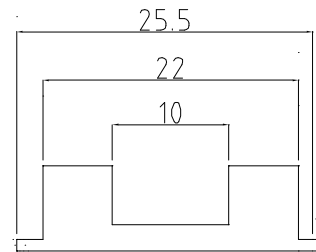
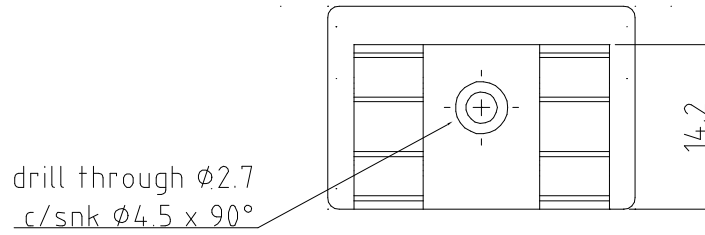


3rd ANG PROJECTION

| REV | DESCRIPTION | DATE | APPROVED |
|-----|-----------------------|--------|----------|
| 1 | INITIAL ISSUE | 290300 | |
| 2 | Material colour added | 120201 | CN00257 |
| | | | |
| | | | |



NOTES: MOULD IN YELLOW, NO FLASH OR SHORT SHOTS ARE ACCEPTBLE

| | | | | | |
|------------------------------|-----|---|--------|--|--------------|
| ALL DIMS IN MM UNLESS STATED | | GEN TOLS 0 = +/-0.5 0.0 = +/-0.3 0.00 = +/-0.1 | | EUROPLUS FIBRE OPTICS Europlus House, Thompson Drive, Anglia International Airpark, Rendlesham, Suffolk, IP12 2RQ. Tel: (01594) 445100 Fax: (01594) 445109 | |
| DRAWN | CDD | DATE | 290300 | SIZE | FILE NAME |
| CHKD | CDD | DATE | 290300 | | 0464001 |
| DO NOT SCALE DRAWING | | SCALE | 2:1 | DWG. No | EFA04 64 001 |
| | | | | SHEET | 2 of |

| | | | |
|----------|----------------|--|----------------------|
| MATERIAL | Sniamid C50 H2 | THIS DOCUMENT CONTAINS PROPRIETARY INFORMATION WHICH SHALL NOT BE REPRODUCED, TRANSFERRED TO OTHER DOCUMENTS, DISCLOSED TO OTHERS USED FOR MANUFACTURING OR ANY OTHER PURPOSE WITHOUT THE WRITTEN AUTHORIZATION OF EUROPLUS FIBRE OPTICS LTD. | DESCRIPTION |
| FINISH | flash free | | Isolator clip Ø4.5mm |
| ICE No: | | | |